

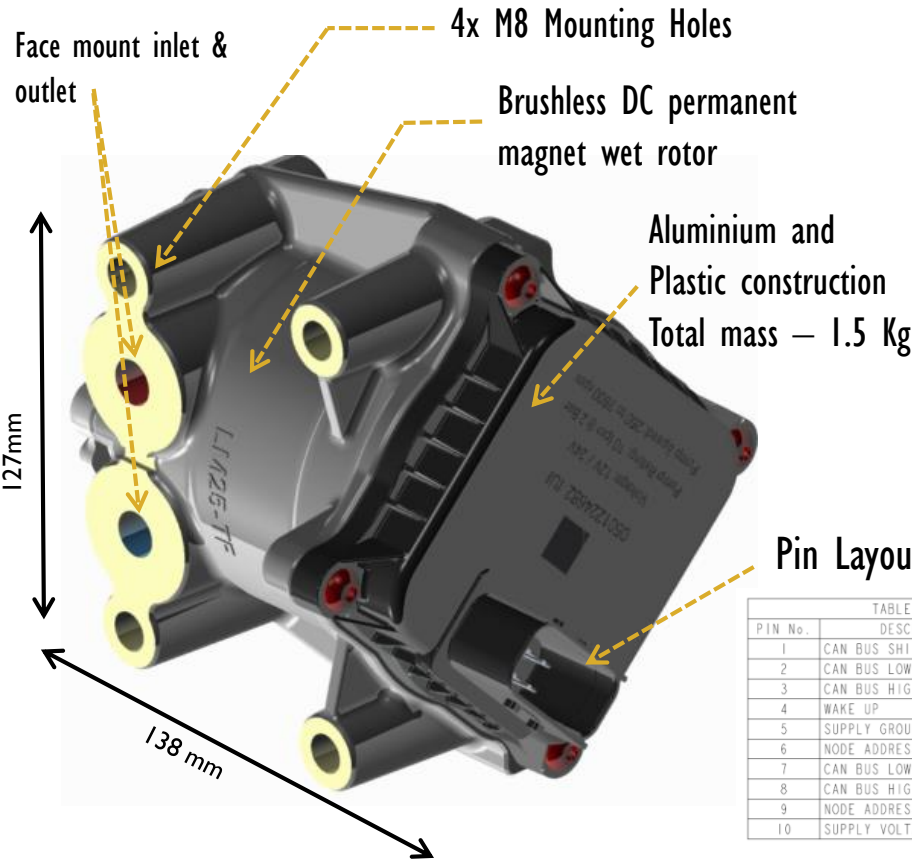
ELECTRIC OIL PUMP



BENEFITS

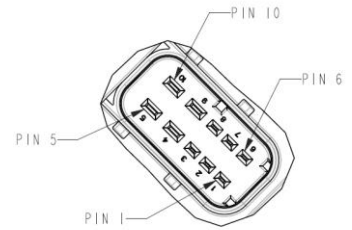
- Quiet operation
- Fully variable flow
- Up to 50,000 hour life
- High efficiency

PERFORMANCE CHARACTERISTICS	
SPEC POINT	10LPM at 2 Bar ΔP
FLUID	SPIRAX S6
TEMPERATURE RANGE	-30 to 120°C
INLET PRESSURE	-0.3 Bar minimum
SPEED RANGE	250 to 3500 rpm



Electrical Interface

- Operating Voltage – 9-32V
- CAN Control – SAE J1939
- Environmental Protection – IP6K9K
- Communication speed – 500Kbps or 250Kbps



Pin Layout

PIN No.	DESCRIPTION	NOTES	CONTACT SIZE	PLATING
1	CAN BUS SHIELD		1.6 x 0.6	SILVER
2	CAN BUS LOW	BRIDGE	1.6 x 0.6	SILVER
3	CAN BUS HIGH	BRIDGE	1.6 x 0.6	SILVER
4	WAKE UP	TERMINAL 15, TO BE FUSED	2.8 x 0.8	SILVER
5	SUPPLY GROUND	TERMINAL 31	2.8 x 0.8	SILVER
6	NODE ADDRESSING, PORT 1		1.6 x 0.6	SILVER
7	CAN BUS LOW		1.6 x 0.6	SILVER
8	CAN BUS HIGH		1.6 x 0.6	SILVER
9	NODE ADDRESSING, PORT 2		2.8 x 0.8	SILVER
10	SUPPLY VOLTAGE HIGH	TERMINAL 30, TO BE FUSED	2.8 x 0.8	SILVER

Flow vs deltaP, Shell Spirax S6 95 [°C]

